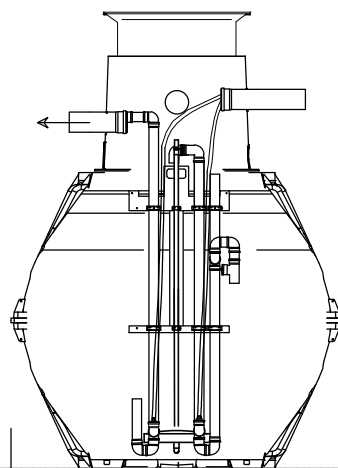



Querschnitt Belebungs  
Cross-section SBR-reactor  
A - A



Querschnitt Belebungs  
Cross-section SBR-reactor  
B - B

<p><b>Klaro E Professional 25 EW TD-Maxi +P</b> 4 x Carat 3750 L / 4 x 990,6 gal.</p>			<p>Artikel-Nr. product no. article no. artículo no.</p>
<p>GB Klaro E Professional 25 inh. TD-Maxi +P 4 x Carat 3750 L / 4 x 990,6 gal.</p>	<p>ES Klaro E Professional 25 PE Cúpula Maxi +P 4 x Carat 3750 L / 4 x 990,6 gal.</p>	<p>FR Klaro E Professional 25 EH Maxi-dôme +P 4 x Carat 3750 L / 4 x 990,6 gal.</p>	<p>revision</p>
<p>gezeichnet drawn ISC</p>	<p>Gewicht weight 4 x 175 kg</p>	<p>Otto Graf GmbH Carl-Zeiss-Str. 2-6 DE-79331 Teningen mail@graf.info www.graf.info</p>	
<p>Datum date 2016.08.23</p>	<p>Toleranz tolerance +/- 3%</p>		
<p>Maßstab scale M 1:40</p>	<p>Einheiten units mm [inch] gal. = US gal.</p>		